

Technical Specifications

Standard Conformity to standards

- UL508
- CSA 22.2 No 14.
- C_v (CISPR-11)
- CE (IEC947-4-2)
- IEC 60947-4-2

Supply

Supply voltage IMS2xxx-V5-xx-xx-xx	3 x 200 VAC~525VAC (3 Wire Connection)
Supply voltage IMS2xxx-V7-xx-xx-xx	3 x 200 VAC~440VAC (6 Wire Connection)
Supply voltage IMS2xxx-V7-xx-xx-xx	3 x 200 VAC~690VAC (6 Wire Connection)
Supply voltage IMS2xxx-V7-xx-xx-xx	3 x 200 VAC~440VAC (6 Wire Connection)
Electronic Supply IMS2xxx-xx-C24-xx-xx	230VAC (+10%/-15%) or 400VAC (+10%/-15%)
Electronic Supply IMS2xxx-xx-C45-xx-xx	460VAC (+10%/-15%) or 575VAC (+10%/-15%)
Supply frequency (at start)	50Hz (± 2Hz) or 60Hz (± 2Hz)
Supply frequency (during start)	> 45Hz (50Hz supply) or > 55Hz (60Hz supply)
Supply frequency (during run)	> 48Hz (50Hz supply) or > 58Hz (60Hz supply)

Control inputs

Start (Terminals C23, C24)	Normally Open, Active 24VDC, 8mA approx.
Stop (Terminals C31, C32)	Normally Closed, Active 24VDC, 8mA approx.
Reset (Terminals C41, C42)	Normally Closed, Active 24VDC, 8mA approx.
Programmable Input A (Terminals C53, C54)	Normally Open, Active 24VDC, 8mA approx.

Outputs

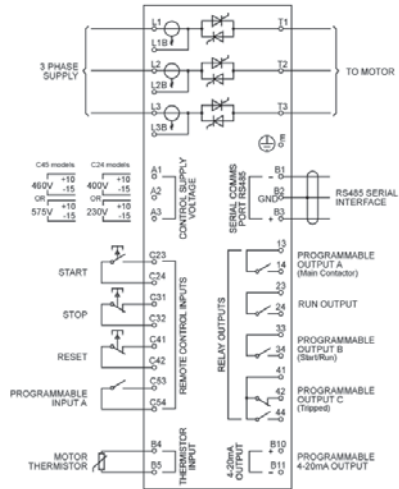
Run output (Terminals 23, 24)	Normally Open, 5A @ 250VAC / 360VA 5A @ 30VDC resistive
Programmable Output A (Terminals 13, 14)	Normally Open, 5A @ 250VAC / 360VA 5A @ 30VDC resistive
Programmable Output B (Terminals 33, 34)	Normally Open, 5A @ 250VAC / 360VA 5A @ 30VDC resistive
Programmable Output C (Terminals 41, 42, 44)	Changeover, 5A @ 250VAC / 360VA 5A @ 30VDC resistive
Analogue Output (Terminals B10, B11)	4-20mA

Additional

Enclosure Rating IMS2xxx-xx-xx-xx-E0	IP00 (Open Chasis)
Enclosure Rating IMS2xxx-xx-xx-xx-E4	IP42 (NEMA 1)
Enclosure Rating IMS2xxx-xx-xx-xx-E5	IP54 (NEMA 12)
Rated short-circuit current (with semi-conductor fuses)	100kA
Rated insulation voltage	690 V
Surges	2kV line to earth, 1kV line to line
Fast transients	2.0kV / 5.0kHz
Rated impulse withstand voltage	2kV
Form designation	Form 1
Electrostatic discharge	4kV contact discharge, 8kV air discharge
Equipment class (EMC)	Class A
Radio-frequency electromagnetic field	0.15 MHz-80 MHz: 140dBmV 80 MHz-1 GHz: 10V/m
Pollution degree	Pollution Degree 3
Operating Temperatures	-5°C / +60°C
Relative Humidity	5-95% (max non condensing)

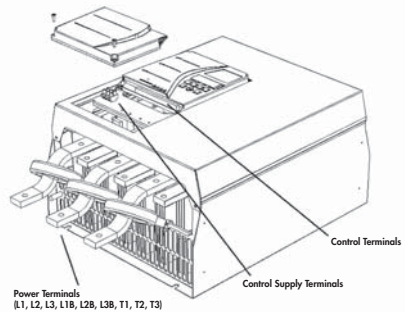
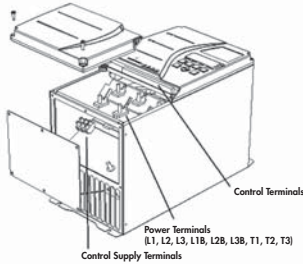
Connection Details / Layout

IMS2 Connection Detail

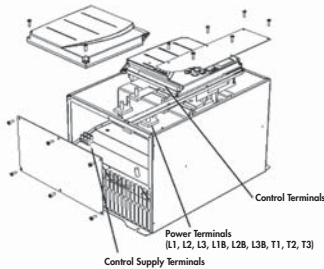


Layout

IMS2-0018 ~ 0125



IMS2-0302 ~ 1574



IMS2-0141 ~ 0253