

# BRIDEX

# EVA-M

## ■ Digital Meter



### Product Introduction

EVA-M, complete microprocessor based digital meter is equipped with high-resolution liquid crystal display to complete its new state of the art outlook. EVA-M is a multi function digital meter and ideal replacement for stand-alone voltage, current, frequency and power factor meters in the market. It is one of the most cost effective yet function rich device with 4 in one concept (4 parameter measurement in single device). EVA-M packed in 96 x 96 mm DIN enclosure can easily replace existing panel-mounted voltage or current meters without the need for modification. We offer this solution with high accuracy class of +/-1.0% and selectable CT ratio & network configuration.

### Basic Features

EVA-M is designed to give average values of measured parameters at every 1 second interval. Therefore it will give almost instantaneous reading of electrical measurement. EVA-M can directly measure voltage up to 500VAC combined with current input from external current transformer ranging from 1 A- 6000A. Equipped with large 16-digit liquid crystal display, which allow clear viewing of basic electrical parameters at the point of installation. EVA-M will display following parameters:

- Line Voltage (1 second average)
- Phase Voltage (1 second average)
- Line Current (1 second average)
- Neutral Current (1 second average)
- Supply Frequency (1 second average)
- Power Factor (1 second average)

EVA-M gives user a choice to select:

- Network configuration - single phase/ 3P3W/ 3P4W
- Current transformer ratio (1A to 6000A)

### Selection Guide

Product Code	Network Type	Panel Cut-out	Auxiliary Supply
B-EVA-M-##-****	Single Phase / 3P3W / 3P4W	96 x 96	230VAC

## Specifications

### General

Network type	: Single phase, 3 phase 3 wires, 3 phase 4 wires
Accuracy	: +/-1.0%
Ambient temperature	: 0-50 deg C
Humidity	: 0-95% non condensing

### Input

Input voltage	: 0-500VAC
Input voltage tolerance	: 80-110% of Un
Burden	: < 0.2VA per phase
Overload conditions	: 1.5 x Un continuous 4 x Un for 1 second
Input current	: 5A(6)
Input current tolerance	: 10-120%
Burden	: < 0.2VA per phase
Overload conditions	: 4 x In continuous
Frequency	: 50/60Hz
Auxiliary Supply	: 230VAC

### Enclosure

Display	: 16 digit LCD display including 2 decimal places, re-settable
Dimension	: DIN 96x96x98mm
Panel mount	: via 4 corner bracket and thumb tensioning screws
Panel cutout	: 92 + 0.8mm x 92 + 0.8mm
Material	: black polycarbonate complying with UL 94VO. The cover/window is made from plexiglass 7N
Fixing	: Snap on DIN rail 35 x 7.5mm complying with DIN 50022 BS5584
Enclosure code	: Case IP50 / terminal IP 30 complying with IEC529 BS5490 DIN 40050
Terminal	: 3.5mm

### Insulation

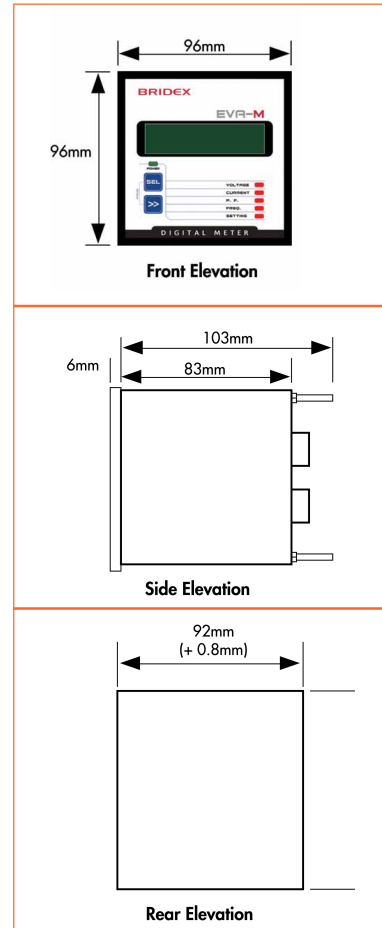
Test voltage	: 4kV RMS 50Hz for 1 min
Impulse test	: EMC 5kV transient comply with IEC801 / EN55020
HF interference	: EHF 2.5kV 1MHz comply with test IEC255-4

## Ordering Format

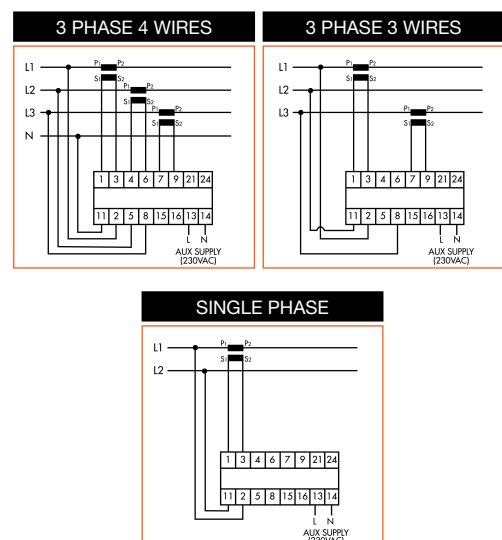
### Note

Please refer to the last page.

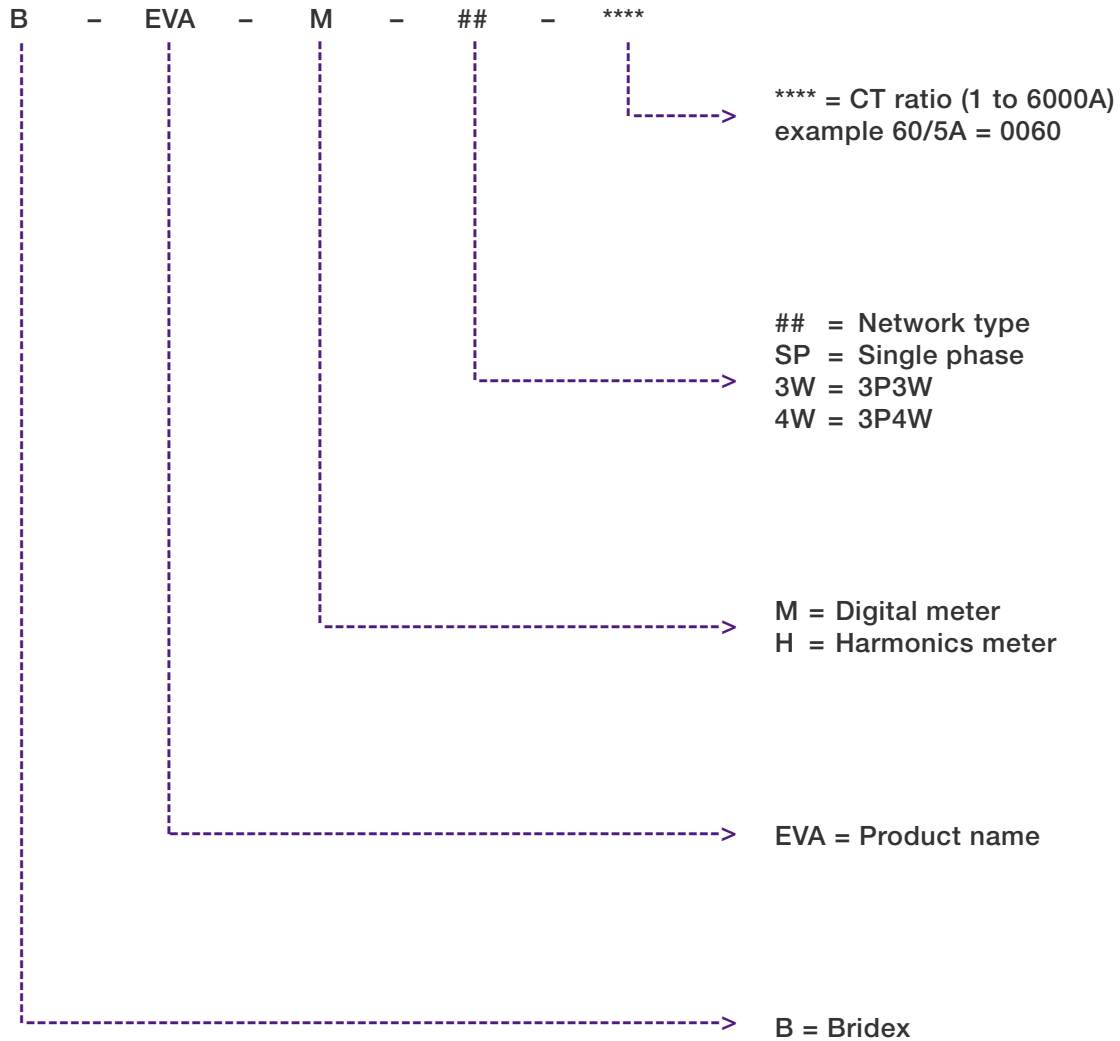
## Dimension Diagram



## Wiring Diagram



## Ordering Format



### Note

Ordering format only applicable to EVA-M & H, EVA-E is user programmable.